

ABBREVIATIONS	
AFF	ABOVE FINISHED FLOOR OR GRADE
AIC	AMPERES INTERRUPTING CAPACITY
AL OR ALUM	ALUMINUM
AMP OR A	AMPERE
AWG	AMERICAN WIRE GAUGE
C.	CONDUIT
CKT	CIRCUIT
CPT	CONTROL POWER TRANSFORMER
CR	CONTROL RELAY
CT	CURRENT TRANSFORMER
CU	COPPER
ELEV	ELEVATION
EM	EMERGENCY
ESD	EMERGENCY SHUTDOWN BUTTON
EXIST.	EXISTING
FO	FIBER OPTIC
FT	FEET
G. OR GRD	GROUND
GA.	GAUGE
GFI	GROUND FAULT INTERRUPTER
GFS	GROUND FAULT SENSING
HP	HORSEPOWER
HTR	HEATER
HZ	HERTZ
ID	INTERNAL DIAMETER
IRP	INTERPOSING RELAY PANEL
JB	JUNCTION BOX
KVA	KILOVOLT-AMPERE
KW	KILOWATT
LC	LIGHTING CONTACTOR
LED	LIGH EMITTING DIODE
LGTS ON LTG	LIGHTS/LIGHTING
MCB	MAIN CIRCUIT BREAKER
MCC	MOTOR CONTROL CENTER
MCP	MOTOR CIRCUIT PROTECTOR
MFR'S	MANUFACTURER'S
MDP	MAIN DISTRIBUTION PANEL
MH	MANHOLE
MLO	MAIN LUGS ONLY
MPR	MOTOR PROTECTION RELAY
NC OR N.C.	NORMALLY CLOSED
NF	NON-FUSED
NO OR N.O.	NORMALLY OPEN OR NUMBER
OD	OUTSIDE DIAMETER
OHE	OVERHEAD ELECTRIC
P	POLE
PB	PULL BOX OR PUSH BUTTON
PC	PHOTOCELL
PH	PHASE
PLC	PROGRAMMABLE LOGIC CONTROLLER
PR.	PAIR OR PAIR CABLE
PT	POTENTIAL TRANSFORMER
PVC	POLYVINYL CHLORIDE
RC	REMOTE CONTROL
REC	CIRCUIT RECLOSURE
REQD	REQUIRED
RTU	REMOTE TERMINAL UNIT
SHLD. OR SH	SHIELD OR SHIELDED
SN OR S/N	SOLID NEUTRAL
SPD	SURGE PROTECTION DEVICE
SSRVS	SOLID STATE REDUCED VOLTAGE STARTER
SS	STAINLESS STEEL
TR.	TRIAD
TYP	TYPICAL
UG	UNDERGROUND
UPS	UNINTERRUPTIBLE POWER SUPPLY
UTP	INSHIELED TWISTED PAIR CABLE
V	VOLTS
W	WITH, WIRE OR WATT
WP	WEATHERPROOF
XFMR	TRANSFORMER

PLAN SYMBOL	DESCRIPTION
	LIGHTING FIXTURE "A"-FIXTURE TYPE "b" -SWITCH NUMBER
	CONDUIT, EXPOSED/SURFACE MOUNTED
	CONDUIT OR DUCTBANK, CONCEALED
	CONDUIT STUBBED OUT AND CAPPED
	OVERHEAD ELECTRICAL LINE
	UNDERGROUND ELECTRICAL LINE
	UNDERGROUND COMMUNICATION LINE
A-1	PANEL A, CIRCUIT 1
	HOMERUN, CIRCUITS 1 AND 3 RUN TO PANEL LA
\$b	SINGLE POLE SWITCH, "b" INDICATES SWITCH LEG SHALL CONTROL LIGHT FIXTURES WITH "b" DESIGNATION
\$M	MANUAL MOTOR STARTER/ DISCONNECT
\$3	3 WAY SWITCH
\$4	4 WAY SWITCH
\$TM TM	TIME SWITCH
	DUPLEX RECEPTACLE , 20A, 120V, 2P, 3W
	FLOOR MOUNTED RECEPTACLE
	SIMPLEX RECEPTACLE, GROUNDED TYPE
	QUADPLEX RECEPTACLE
	JUNCTION BOX
	PULL BOX
	OCCUPANCY SENSOR
	PHOTOCELL
	MANHOLE
	UTILITY METER
	EMERGENCY SHUTDOWN
	GROUND

ONE-LINE OR CONTROL	PLAN	DESCRIPTION
		PANEL
		MOTOR, NUMBER DESIGNATES HORSEPOWER
		LOW VOLTAGE CIRCUIT BREAKER, 3 POLE UNLESS OTHERWISE NOTED A - AMP TRIP, P - POLES
		MOTOR CIRCUIT PROTECTOR
		TRANSFORMER, RATINGS, AND CONNECTIONS AS NOTED
	-	CONDUCTORS OR CONDUITS CROSSING PATHS BUT NOT CONNECTED
	-	CONDUCTORS ELECTRICALLY CONNECTED
	-	INDICATES LIMITS OF EQUIPMENT OR WIRING ENCLOSURE

**NOTE:**

- ENGINEER OF RECORD, DURAK EVRIM ERCAN, P.E. SCOPE OF SERVICES ARE LIMITED ONLY FOR THE INSTALLATION OF NEW EQUIPMENT IDENTIFIED WITH THIS DESIGN. EXISTING INSTALLATION AND EXISTING EQUIPMENT IS NOT PART OF ENGINEER OF RECORD'S SCOPE OF WORK.

100-417-000-0077



**ISSUE:**

REV	DESCRIPTION	DATE
1	SCHEMATIC DESIGN	3/25/21

AE JOB #	1418
JOB #	21-002
DRAWN BY	PD
CHECKED BY	YR

**CITY OF ST. PETERSBURG  
FAST FILL UPGRADE**

3TH AVENUE NORTH  
ST. PETERSBURG, FLORIDA

**ELECTRICAL LEGEND,  
AND ABBREVIATIONS**

**E001**

SHEET	11	OF	19
SCALE			
DATE	MAY 17, 2021		

GENERAL NOTES:

- ALL ELECTRICAL WORK SHALL BE IN ACCORDANCE WITH THE 2020 NATIONAL ELECTRICAL CODE AND WITH LOCAL ELECTRICAL ORDINANCES.
- THE ENTIRE INSTALLATION MUST COMPLY WITH THE 2020 NATIONAL ELECTRICAL CODE , INCLUDING BUT NOT LIMITED TO ARTICLE 514.
- ALL ELECTRICAL WORK SHALL BE PERFORMED UNDER THE DIRECT SUPERVISION OF A MASTER ELECTRICIAN WHO HOLDS A VALID LICENSE IN THE LOCAL STATE. ALL WIRING, EQUIPMENT, DEVICES, AND INSTALLATIONS SHALL CONFORM TO LOCAL, STATE, BUILDING AND FEDERAL CODES AS WELL AS ALL AUTHORITIES HAVING JURISDICTION. ALL ELECTRICAL WORK MUST COMPLY WITH THE REQUIREMENTS OF NFPA 70, NEC, NFPA 70B, NFPA 70E, IECC, OASHA IN ADDITION TO OTHER REFERENCES REQUIRED BY CONTRACT.
- ALL ELECTRICAL EQUIPMENT ENCLOSURES SHALL BE DEAD FRONT RATED NEMA 3R UNLESS NOTED OTHERWISE. ALL ENCLOSURES SHALL BE LOCKABLE WITH A SINGLE THREE POINT LATCH LOCATED ON THE DOOR. THE CONTRACTOR SHALL BE RESPONSIBLE FOR PROVIDING LOCKS AS REQUIRED BY THE OWNER. THE CONTRACTOR SHALL FURNISH KEYS TO THE OWNER AS REQUIRED. ALL LOCKS SHALL BE KEYPED ALIKE.
- ALL CONDUCTORS SHALL BE 600V COPPER AND SHALL BE INSULATED WITH TYPE XHHW/XHWN INSULATION.
- USE THE FOLLOWING COLOR CODE FOR 120/240V, 1-PHASE WIRING:  
PHASE A - BLACK  
PHASE B - RED  
NEUTRAL - WHITE  
EQUIPMENT GROUNDING CONDUCTOR - GREEN
- USE THE FOLLOWING COLOR CODE FOR 480Y/277V, 3-PHASE WIRING:  
PHASE A - BROWN  
PHASE B - ORANGE  
PHASE C - YELLOW  
NEUTRAL - GRAY  
EQUIPMENT GROUNDING CONDUCTOR - GREEN
- ALL 480V CIRCUIT CONDUITS ABOVE GROUND SHALL BE GALVANIZED RIGID ALUMINUM.
- ALL CONDUITS ABOVE GROUND FOR 240V CIRCUITS AND BELOW SHALL BE GALVANIZED RIGID ALUMINUM CONDUIT UNLESS NOTED OTHERWISE. PROVIDE END BELLS, GROUND BUSHINGS, LOCKNUTS, CONDUIT DRAINS, BUSHINGS, ETC. AS REQUIRED.
- ALL UNDERGROUND CONDUITS SHALL BE SCHEDULE 80 PVC UNLESS NOTED OTHERWISE. PVC CONDUIT SHALL NOT BE INSTALLED ABOVE GRADE.
- ALL UNDERGROUND CONDUIT BENDS SHALL BE FACTORY COATED (PVC) RIGID STEEL BENDS. PVC COATED RIGID STEEL CONDUIT SHALL BE AS MANUFACTURED BY PERMA-COTE. CONDUITS STUBBED-UP OUT OF THE GROUND SHALL BE PVC COATED RIGID STEEL.
- PROVIDE CONDUIT SEALS AND EXPLOSION PROOF FITTINGS AS REQUIRED PER THE NATIONAL FIRE PROTECTION ASSOCIATION (NFPA) AND THE NATIONAL ELECTRICAL CODE (NEC).
- EXCAVATION, TRENCHING, BACKFILLING AND GRADING: PRIOR TO ANY EXCAVATION OR TRENCHING, NOTIFY THE OWNER'S REPRESENTATIVE, UTILITY COMPANIES AND OWNER'S FACILITIES DEPARTMENT. ALLOW SUFFICIENT TIME FOR UTILITIES TO BE LOCATED PRIOR TO EXCAVATION TO AVOID DISRUPTION OF SERVICES. PROVIDE A MINIMUM OF 72 HOURS WRITTEN NOTICE TO THE OWNER PRIOR TO TRENCHING OR EXCAVATION. DO NOT PROCEED WITH TRENCHING OR EXCAVATION UNTIL AUTHORIZED BY THE OWNER. UTILITIES OR SERVICES WHICH ARE DAMAGED, WHICH ARE IDENTIFIED PRIOR TO EXCAVATION OR TRENCHING, OR WHERE CONFIRMATION BY UTILITY COMPANIES HAS NOT BEEN OBTAINED VERIFYING THAT UTILITIES ARE MARKED, SHALL BE REPAIRED TO OPERABLE CONDITION IMMEDIATELY, AT NO COST TO THE OWNER. BARRICADE OPEN TRENCHES AND EXCAVATIONS FOR THE ENTIRE DURATION OF THE PROJECT. BARRICADES FOR EXCAVATIONS SHALL HAVE WARNING LIGHTS MAINTAINED DURING HOURS OF DARKNESS. TRENCHES SHALL BE MARKED WITH WARNING TAPE, OR ACCESS TO TRENCHES SHALL BE PROHIBITED WITH READILY IDENTIFIABLE SAWHORSES, WARNING TAPE OR OTHER ACCEPTABLE MEANS. BARRIERS SHALL BE ILLUMINATED OR RECOGNIZABLE DURING HOURS OF DARKNESS. BARRIERS AND TAPE SHALL BE PROPERLY MAINTAINED AT ALL TIMES. PROTECT ALL ADJACENT WORK, STRUCTURES AND PROPERTIES. DAMAGE TO ADJACENT WORK, STRUCTURES OR PROPERTIES SHALL BE REPAIRED, OR THE COST OF REPAIR REIMBURSED IN FULL. ALL CONSTRUCTION AREAS SHALL BE FINALLY GRADED AS INDICATED ON THE CONTRACT DOCUMENTS, OR TO THE CONDITIONS OF THE SITE PRIOR TO CONSTRUCTION. GRADING SHALL BRING THE SITE BACK TO THE EXISTING CONDITIONS AS CLOSE AS PRACTICAL. TURFED AREAS SHALL BE SODDED, OR HYDRO-MULCHED WITH MATCHING TURF. LANDSCAPING SHALL BE REPLACED WITH IDENTICAL SHRUBBERY, GROUND COVER, OR PLANTS AS EXISTED. THE CONTRACTOR SHALL BE RESPONSIBLE FOR MAINTAINING WATER ON NEW TURF AND LANDSCAPING UNTIL ESTABLISHED. IF NEW TURF AND LANDSCAPING IS IMPRACTICAL DUE TO WEATHER CONDITIONS, CONTRACTOR SHALL PROVIDE SATISFACTORY ARRANGEMENTS TO HAVE TURF AND LANDSCAPING FURNISHED AND INSTALLED AT THE EARLIEST OPPORTUNITY THEREAFTER. PROVIDE A 90-DAY YEAR WARRANTY ON NEW TURF AND LANDSCAPING. DETERMINE IF IRRIGATION SYSTEMS EXIST PRIOR TO TRENCHING AND EXCAVATION. OBTAIN RECORD OR AS-BUILT DRAWINGS AND LOCATE CONTROL WIRING AND PRESSURE MAIN BRANCHES AND DEVICES. DETERMINE BY ACTUAL OPERATION THAT SYSTEMS ARE FUNCTIONAL AND REPAIR OR REPLACE DAMAGED SYSTEMS TO THEIR ORIGINAL CONDITION PRIOR TO BEGINNING CONSTRUCTION.
- ELECTRICAL EQUIPMENT, LIGHTING CONTACTOR, PANELBOARDS, TRANSFORMERS, ETC. SHALL BE MANUFACTURED BY SQUARE D, EATON, SIEMENS OR ABB. PANELBOARDS SHALL HAVE TIN-PLATED COPPER BUS. SERIES RATING OF BREAKERS IS NOT ACCEPTABLE. TRANSFORMERS SHALL HAVE COPPER WINDINGS.
- PROVIDE A GROUNDING SYSTEM THAT INCLUDES ALL CONNECTIONS AND THE TESTING OF GROUND RODS, GROUND CABLES, GROUND BUSES, CONDUITS, FITTINGS, ANCHOR SUPPORTS, THERMITE PROCESS MATERIALS AND EQUIPMENT AND OTHER MATERIALS REQUIRED FOR A COMPLETE INSTALLATION. GROUNDING SYSTEM SHALL BE INSTALLED AND SIZED IN ACCORDANCE WITH THE NATIONAL ELECTRICAL CODE. MEASURE THE GROUND GRID RESISTANCE WITH THE EARTH TEST METER AND INSTALL ADDITIONAL GROUND RODS AND CONDUCTORS AS REQUIRED UNTIL THE RESISTANCE TO THE GROUND CONFORMS TO NATIONAL ELECTRICAL CODE REQUIREMENTS. GROUND RESISTANCE MEASUREMENT SHALL NOT EXCEED 2 OHMS. ADD GROUND RODS AS REQUIRED TO BRING RESISTANCE TO 2 OHMS AND CONNECT TO GROUNDING SYSTEM.
- THESE PLANS ARE SCHEMATIC, VERIFY EQUIPMENT SIZES, LOCATION AND CONDUIT ROUTING, ETC. PRIOR TO BID. CONTRACTOR SHALL VERIFY NUMBER/SIZE OF CONDUCTORS AND CONDUIT REQUIRED BASED ON EQUIPMENT BEING PROVIDED AND PROVIDE AS REQUIRED. ALL CONDUIT, CABLE, GROUNDING, ETC. SHALL BE SIZED AND INSTALLED IN ACCORDANCE WITH THE NATIONAL ELECTRICAL CODE.
- PROVIDE ALL WIRING, CONDUIT, LABOR AND MATERIALS NOT SHOWN ON PLAN, BUT NECESSARY FOR COMPLETE AND PROPER OPERATIONS OF THE ELECTRICAL SYSTEM.
- CONTRACTOR SHALL BE RESPONSIBLE FOR ALL FEES AND PERMITS AS NECESSARY TO COMPLETE THIS JOB. CONTRACTOR SHALL PROVIDE ALL LABOR, MATERIALS AND EQUIPMENT NECESSARY TO INSURE A COMPLETE WORKING SYSTEM.
- INSTALLATION OF SWITCHES AND CONTROL DEVICES SHALL COMPLY WITH LOCAL CODES AND STATE ADA REQUIREMENT.
- ALL ELECTRICAL EQUIPMENT, DEVICES AND CIRCUITS SHALL CONTAIN A GROUNDING CONDUCTOR. CONDUITS SYSTEM SHALL NOT BE USED AS GROUNDING NETWORK. ALL GROUNDING SHALL BE IN STRICT COMPLIANCE WITH ARTICLE NO. 250 OF THE NATIONAL ELECTRIC CODE.
- COORDINATE LOCATION AND VERIFY REQUIREMENTS OF ALL EXTERIOR EQUIPMENT AND METER BASE WITH OWNER AND UTILITY COMPANY.
- ALL PANELS, TRANSFORMERS AND BREAKERS SHALL HAVE ENGRAVED IDENTIFICATION LABELS.
- CONTRACTOR IS RESPONSIBLE FOR NEC REQUIREMENT CLEARANCES AROUND AND ABOVE OF ALL ELECTRICAL EQUIPMENT AND DEVICES.
- SHORT CIRCUIT AIC RATING OF ALL ELECTRICAL PRODUCTS SHALL BE GREATER THAN THE MAXIMUM AVAILABLE SHORT CIRCUIT CURRENT. COORDINATE WITH THE UTILITY FOR MAXIMUM AVAILABLE SHORT CIRCUIT CURRENT.
- WIRE AND CONDUIT SIZES SHALL BE INSTALLED AND SIZED TO COMPENSATE FOR VOLTAGE DROP PER THE NEC.
- ALL CONDUCTORS SHALL BE 98% COPPER (NO ALUMINUM CONDUCTORS WILL BE ACCEPTED).
- ALL ELECTRICAL WIRING, VOICE/COMMUNICATION WIRING AND COAXIAL CABLES SHALL BE INSTALLED IN CONDUIT, WIREWAY OR OTHER PROTECTIVE COVE AS REQUIRED TO COMPLY WITH GOVERNING CODE.
- CONTRACTOR SHALL PROVIDE FIRE PROOFING FOR ANY PIPES OR CONDUITS THAT PENETRATE THROUGH ANY FLOORS, WALLS, CEILINGS, ROOFS OR RUNS INSIDE OF CHASES.
- CONTRACTOR TO PROVIDE AND INSTALL GROUNDING SYSTEM FOR EQUIPMENT, METAL FENCE, STEEL COLUMNS, ETC.

NOTE:

1. ENGINEER OF RECORD, DURAK EVRİM ERCAN, P.E. SCOPE OF SERVICES ARE LIMITED ONLY FOR THE INSTALLATION OF NEW EQUIPMENT IDENTIFIED WITH THIS DESIGN. EXISTING INSTALLATION AND EXISTING EQUIPMENT IS NOT PART OF ENGINEER OF RECORD'S SCOPE OF WORK.

100-217-000-0077



ISSUE:

REV	DESCRIPTION	DATE
1	SCHEMATIC DESIGN	3/25/21

AE JOB #	1418
JOB #	21-002
DRAWN BY	PD
CHECKED BY	YR

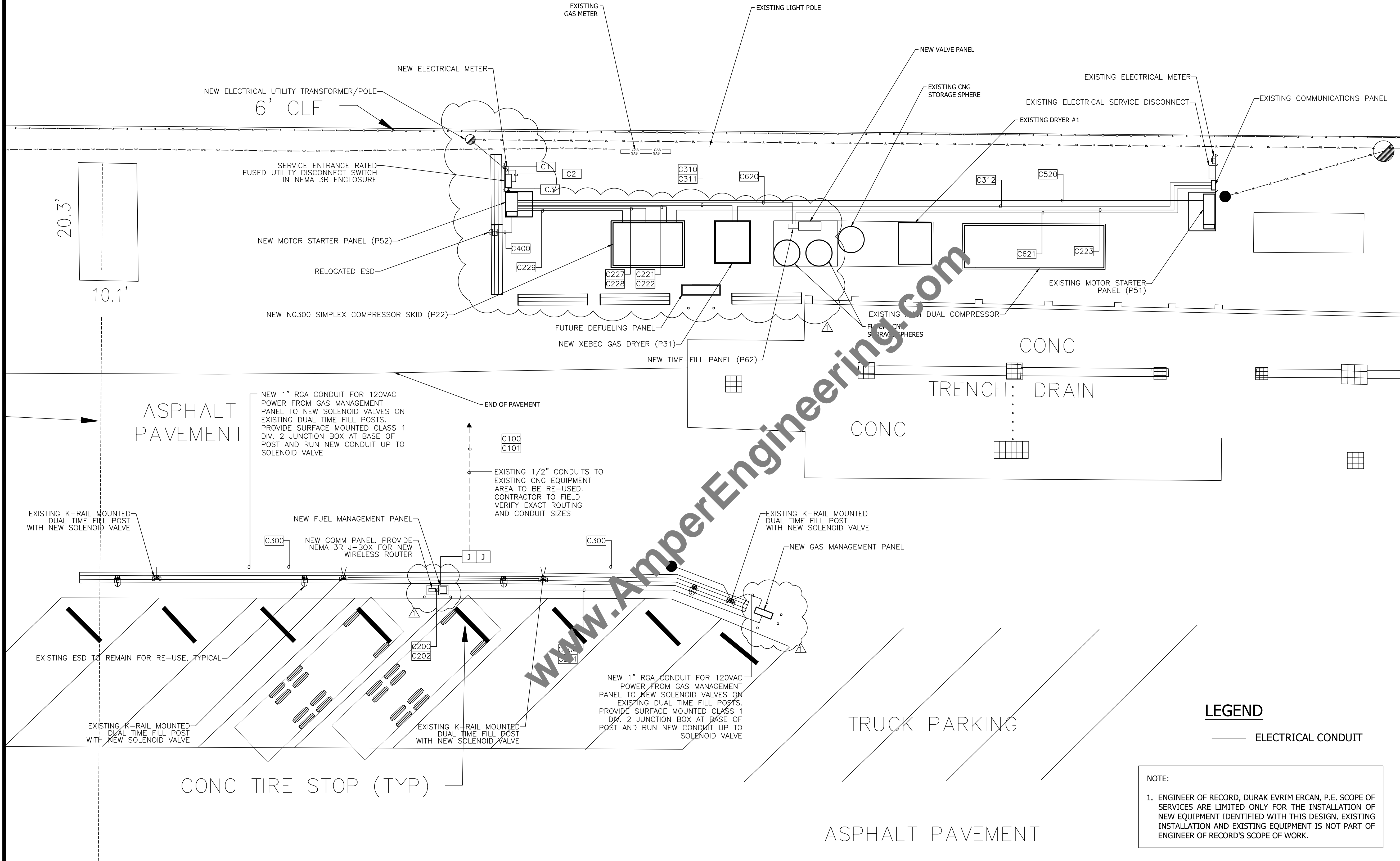
CITY OF ST. PETERSBURG  
FAST FILL UPGRADE  
  
3TH AVENUE NORTH  
ST. PETERSBURG, FLORIDA

ELECTRICAL  
GENERAL NOTES

E002

SHEET	12	OF	19
SCALE			
DATE	MAY 17, 2021		

NEW EQUIPMENT AND ADDITIONS ARE CLOUDED IN THIS DRAWING.



ISSUE:

REV	DESCRIPTION	DATE
1	SCHEMATIC DESIGN	3/25/21

AE JOB #	1418
JOB #	21-002
DRAWN BY	PD
CHECKED BY	YR

**CITY OF ST. PETERSBURG**  
FAST FILL UPGRADE  
7TH AVENUE NORTH  
ST. PETERSBURG, FLORIDA

**ENLARGED ELECTRICAL SITE PLAN**

**E101**

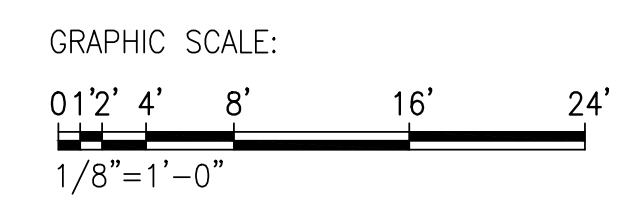
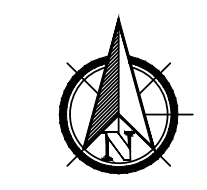
**LEGEND**

— ELECTRICAL CONDUIT

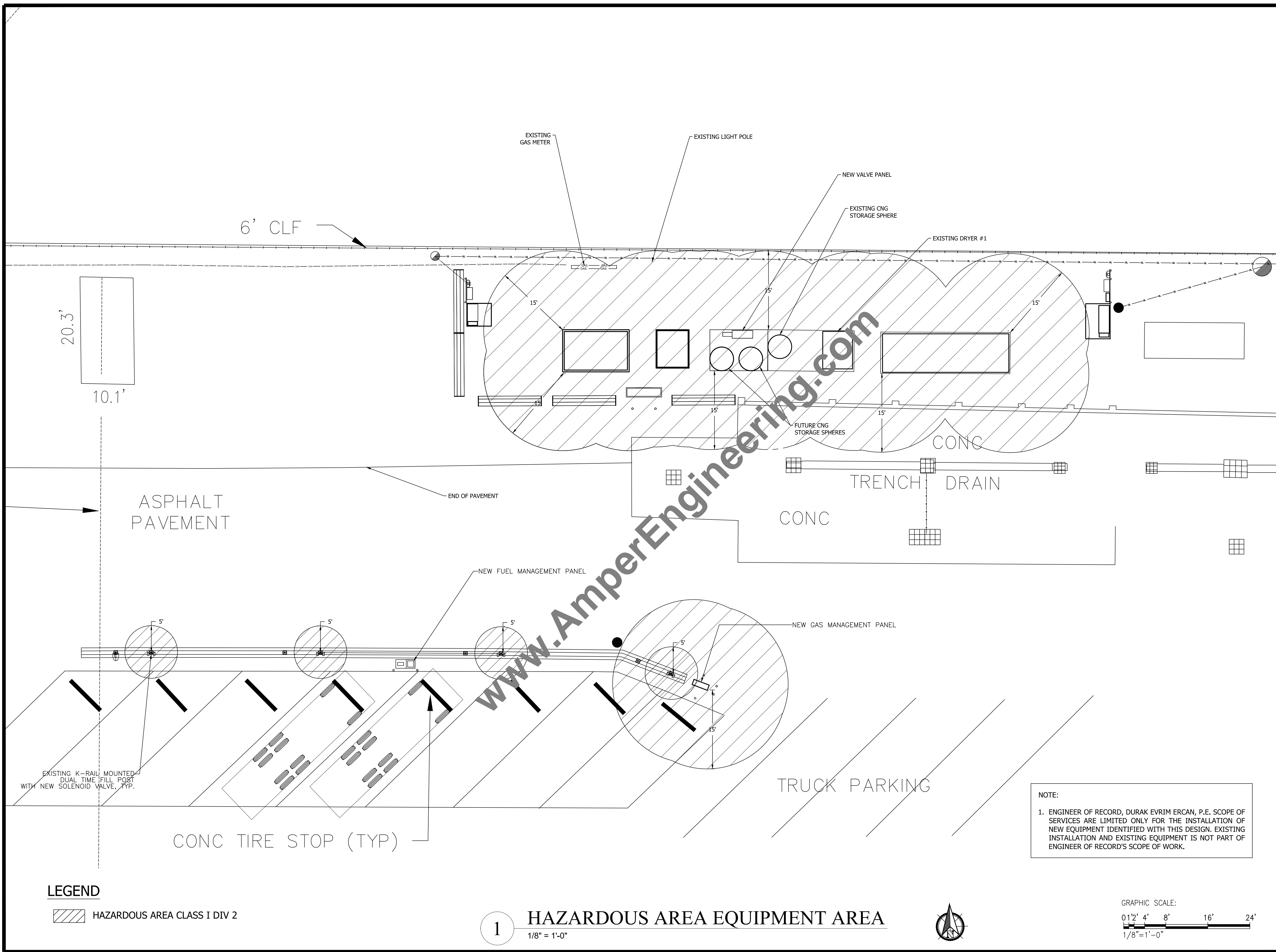
**NOTE:**

1. ENGINEER OF RECORD, DURAK EVRIM ERCAN, P.E. SCOPE OF SERVICES ARE LIMITED ONLY FOR THE INSTALLATION OF NEW EQUIPMENT IDENTIFIED WITH THIS DESIGN. EXISTING INSTALLATION AND EXISTING EQUIPMENT IS NOT PART OF ENGINEER OF RECORD'S SCOPE OF WORK.

**1 ENLARGED ELECTRICAL SITE PLAN**  
1/8" = 1'-0"



SHEET	13	OF	19
SCALE			
DATE	MAY 17, 2021		



100-217-000-0077

Digitally signed by Durak Evrim Ercan  
 DN: cn=Durak Evrim Ercan, o=Amper Engineering, ou=Amper Engineering, email=Durak.Ercan@AmperEngineering.com, c=US  
 Reason: I am approving this document.  
 Date: 2021.05.13 20:58:42 -0400

ISSUE:

REV	DESCRIPTION	DATE
1	SCHEMATIC DESIGN	3/25/21

AE JOB #	1418
JOB #	21-002
DRAWN BY	PD
CHECKED BY	YR

**CITY OF ST. PETERSBURG**  
**FAST FILL UPGRADE**  
 7TH AVENUE NORTH  
 ST. PETERSBURG, FLORIDA

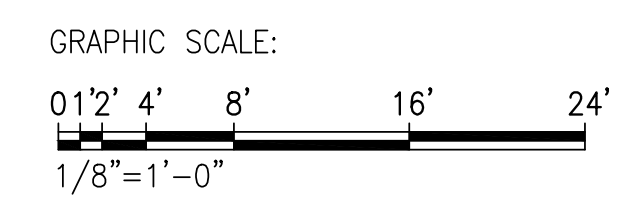
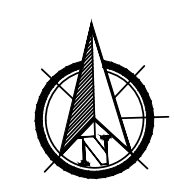
**HAZARDOUS AREA EQUIPMENT AREA**

**E102**

NOTE:  
 1. ENGINEER OF RECORD, DURAK EVRIM ERCAN, P.E. SCOPE OF SERVICES ARE LIMITED ONLY FOR THE INSTALLATION OF NEW EQUIPMENT IDENTIFIED WITH THIS DESIGN. EXISTING INSTALLATION AND EXISTING EQUIPMENT IS NOT PART OF ENGINEER OF RECORD'S SCOPE OF WORK.

**LEGEND**  
 HAZARDOUS AREA CLASS I DIV 2

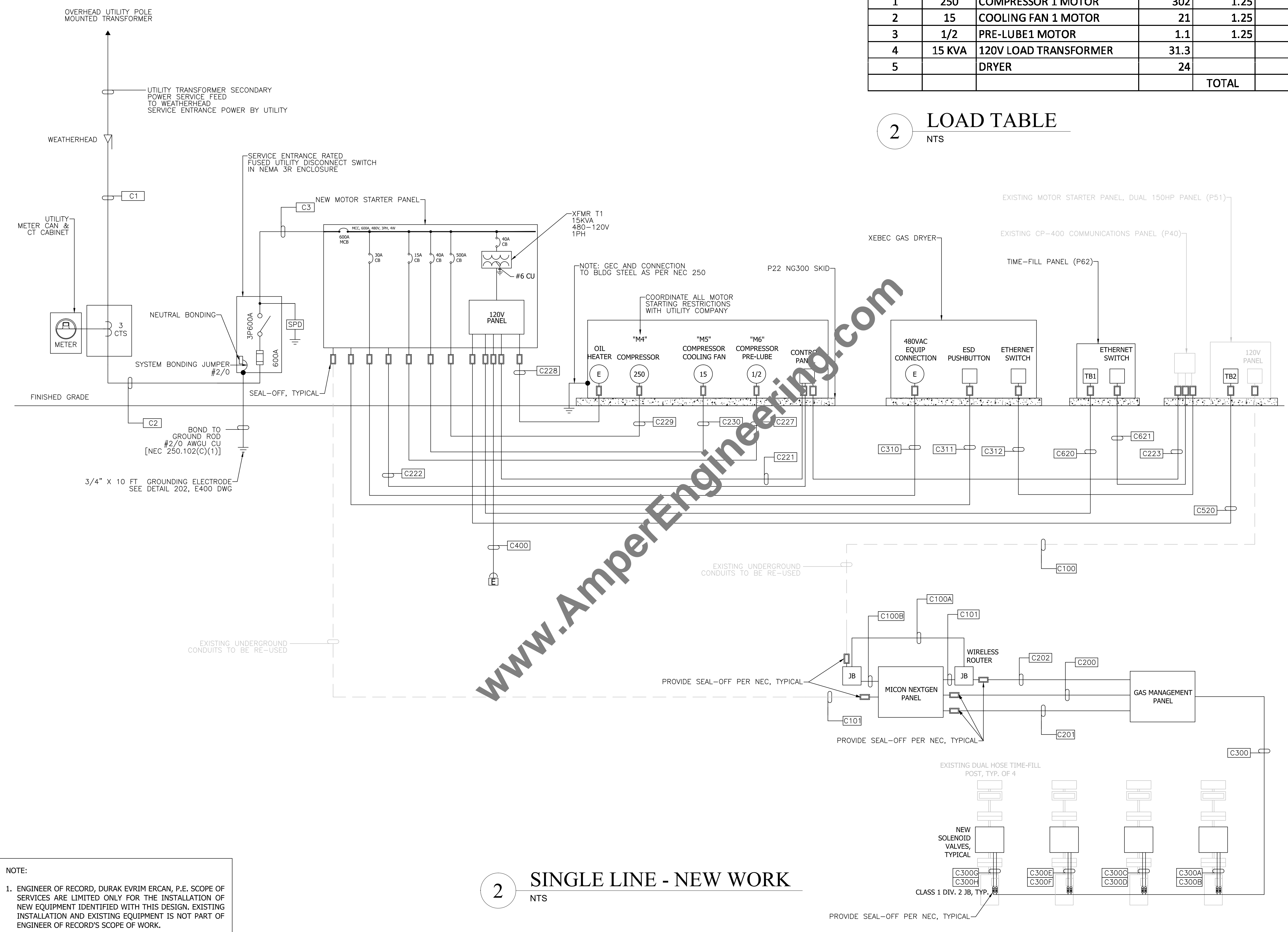
**1 HAZARDOUS AREA EQUIPMENT AREA**  
 1/8" = 1'-0"



SHEET	14	OF	19
SCALE			
DATE	MAY 17, 2021		

QTY	BHP	DESCRIPTION	FLA	Continuous	FLA
1	250	COMPRESSOR 1 MOTOR	302	1.25	378
2	15	COOLING FAN 1 MOTOR	21	1.25	26
3	1/2	PRE-LUBE1 MOTOR	1.1	1.25	1
4	15 KVA	120V LOAD TRANSFORMER	31.3		31
5		DRYER	24		24
				TOTAL	460

2 LOAD TABLE  
NTS



2 SINGLE LINE - NEW WORK  
NTS

NOTE:  
1. ENGINEER OF RECORD, DURAK EVRIM ERCAN, P.E. SCOPE OF SERVICES ARE LIMITED ONLY FOR THE INSTALLATION OF NEW EQUIPMENT IDENTIFIED WITH THIS DESIGN. EXISTING INSTALLATION AND EXISTING EQUIPMENT IS NOT PART OF ENGINEER OF RECORD'S SCOPE OF WORK.

100-217-333-3377

Digitally signed by Durak Evrim Ercan  
DN: cn=Durak Evrim Ercan, email=DurakEvrim@AmperEngineering.com, o=Amper Engineering, ou=Amper Engineering, st=New Jersey, c=US  
Reason: I am approving this document.  
Date: 2021.05.13 20:58:43 -0400

ISSUE:

REV	DESCRIPTION	DATE
1	SCHEMATIC DESIGN	3/25/21

AE JOB # 1418  
JOB # 21-002  
DRAWN BY PD  
CHECKED BY YR

CITY OF ST. PETERSBURG  
FAST FILL UPGRADE  
7TH AVENUE NORTH  
ST. PETERSBURG, FLORIDA

ELECTRICAL  
SINGLE LINE DIAGRAM

E200

SHEET 15 OF 19  
SCALE  
DATE MAY 17, 2021

DESIGNATOR	CONDUIT	CONDUCTOR	FROM	TO	CONDUCTOR TYPE	DESCRIPTION
C1	2 SETS OF 3 1/2"	2 SETS OF (4)#350KCMIL, (1)#2/0 GND	WEATHERHEAD	UTILITY METER/CT CABINET	POWER	SERVICE ENTRANCE POWER
C2	2 SETS OF 3 1/2"	2 SETS OF (4)#350KCMIL, (1)#2/0 GND	UTILITY METER/CT CABINET	UTILITY SERVICE DISCONNECT	POWER	SERVICE ENTRANCE POWER
C3	2 SETS OF 3 1/2"	2 SETS OF (4)#350KCMIL, (1)#2/0 GND	UTILITY SERVICE DISCONNECT	MOTOR STARTER PANEL	POWER	SERVICE ENTRANCE POWER TO MCC
C221	1"	2 #12, 14 #14, 1#12G	NEW MOTOR STARTER PANEL	NG300 SIMPLEX COMPRESSOR SKID CONTROL PANEL	POWER	120VAC/ESD/RUN SIGNALS
C222	1"	6 #14	NEW MOTOR STARTER PANEL	NG300 SIMPLEX COMPRESSOR SKID CONTROL PANEL	SIGNAL	24VDC SIGNALS
C227	1/2"	3 #12, 1 #12G	NEW MOTOR STARTER PANEL	NG300 SIMPLEX COMPRESSOR SKID JUNCTION BOX 22	POWER	480VAC PRE-LUBE MOTOR
C228	1"	2 #12, 1 #12G	NEW MOTOR STARTER PANEL	NG300 SIMPLEX COMPRESSOR SKID JUNCTION BOX 22	POWER	120VAC OIL HEATER
C229	3"	2 SETS OF (3)#250KCMIL, (1)#2 GND	NEW MOTOR STARTER PANEL	NG300 SIMPLEX COMPRESSOR SKID M4 250HP MOTOR	POWER	480VAC MAIN MOTOR
C520	1"	5 #14, 1 #12G	NEW MOTOR STARTER PANEL	EXISTING MOTOR STARTER PANEL, DUAL 150HP	POWER	ESD STRING
C620	1"	2 #12, 4 #14, 1 #12G	NEW MOTOR STARTER PANEL	P62 TIME-FILL PANEL (TB1)	POWER	120VAC/ESD
C621	1"	ENET-22/CAT6 (SHIELDED CABLE)	EXISTING COMMUNICATIONS PANEL	P62 TIME-FILL PANEL	SIGNALS	24VDC SIGNALS
C223	1"	ENET-22/CAT6 (SHIELDED CABLE)	EXISTING COMMUNICATIONS PANEL	NG300 SIMPLEX COMPRESSOR SKID CONTROL PANEL	SIGNALS	24VDC SIGNALS
C310	1"	3 #10, 1#10G	NEW MOTOR STARTER PANEL	P31 XEBEC GAS DRYER	POWER	480VAC POWER
C311	1"	2 #14, 1#12G	NEW MOTOR STARTER PANEL	P31 XEBEC GAS DRYER	SIGNALS	ESD PUSHBUTTON
C312	1"	ENET-31/CAT6 (SHIELDED CABLE)	EXISTING COMMUNICATIONS PANEL	P31 XEBEC GAS DRYER	SIGNALS	24VDC SIGNALS
C100	1/2"	2 #12, 1 #12G	NEW MOTOR STARTER PANEL 120V PANEL	MICON NEXTGEN PANEL	POWER	120VAC MAIN POWER
C100A	1/2"	2 #12, 1 #12G	JUNCTION BOX 120V	WIRELESS ROUTER	POWER	120VAC MAIN POWER
C100B	1/2"	2 #12, 1 #12G	JUNCTION BOX 120V	MICON NEXTGEN PANEL	POWER	120VAC MAIN POWER
C101	1/2"	(1) RS-485 & (1) CAT5E CABLE	NEW MOTOR STARTER PANEL 120V PANEL	MICON NEXTGEN PANEL	COMMUNICATIONS	COMMUNICATIONS
C200	1"	VERIFY WIRE SIZES/QTY WITH SUPPLIER	MICON NEXTGEN PANEL	GAS MANAGEMENT PANEL	POWER	120VAC POWER
C201	1/2"	(4) BELDEN 3107A, PROVIDE WITH CABLE SHIELD/DRAIN	MICON NEXTGEN PANEL	GAS MANAGEMENT PANEL	COMMUNICATIONS	COMMUNICATIONS
	1/2"	(2) BELDEN 9463 PROVIDE WITH CABLE SHIELD/DRAIN	MICON NEXTGEN PANEL	GAS MANAGEMENT PANEL	COMMUNICATIONS	COMMUNICATIONS
C202	1/2"	CAT6 CABLING	FUEL MANAGEMENT PANEL	COMM PANEL	COMMUNICATIONS	COMMUNICATIONS
C300	1"	VERIFY WIRE SIZES/QTY WITH SUPPLIER	GAS MANAGEMENT PANEL	FILL POST #1 SOLENOID VALVE #1	POWER	120VAC POWER
C300A	1"	VERIFY WIRE SIZES/QTY WITH SUPPLIER	GAS MANAGEMENT PANEL	FILL POST #1 SOLENOID VALVE #1	POWER	120VAC POWER
C300B	1"	VERIFY WIRE SIZES/QTY WITH SUPPLIER	GAS MANAGEMENT PANEL	FILL POST #1 SOLENOID VALVE #2	POWER	120VAC POWER
C300C	1"	VERIFY WIRE SIZES/QTY WITH SUPPLIER	GAS MANAGEMENT PANEL	FILL POST #2 SOLENOID VALVE #3	POWER	120VAC POWER
C300D	1"	VERIFY WIRE SIZES/QTY WITH SUPPLIER	GAS MANAGEMENT PANEL	FILL POST #2 SOLENOID VALVE #4	POWER	120VAC POWER
C300E	1"	VERIFY WIRE SIZES/QTY WITH SUPPLIER	GAS MANAGEMENT PANEL	FILL POST #3 SOLENOID VALVE #5	POWER	120VAC POWER
C300F	1"	VERIFY WIRE SIZES/QTY WITH SUPPLIER	GAS MANAGEMENT PANEL	FILL POST #3 SOLENOID VALVE #6	POWER	120VAC POWER
C300G	1"	VERIFY WIRE SIZES/QTY WITH SUPPLIER	GAS MANAGEMENT PANEL	FILL POST #4 SOLENOID VALVE #7	POWER	120VAC POWER
C300H	1"	VERIFY WIRE SIZES/QTY WITH SUPPLIER	GAS MANAGEMENT PANEL	FILL POST #4 SOLENOID VALVE #8	POWER	120VAC POWER
C400	1/2"	2 #12, 1 #12G	NEW MOTOR STARTER PANEL	RELOCATED ESD	POWER	120VAC ESD POWER
C230	3/4"	3 #8, 1 #10G	NEW MOTOR STARTER PANEL	NG300 SIMPLEX COMPRESSOR SKID JUNCTION BOX 22	POWER	480VAC FAN MOTOR


## 1 CONDUIT AND CABLE SCHEDULE

NTS

www.AmperEngineering.com

NOTE:  
 1. ENGINEER OF RECORD, DURAK EVRIM ERCAN, P.E. SCOPE OF SERVICES ARE LIMITED ONLY FOR THE INSTALLATION OF NEW EQUIPMENT IDENTIFIED WITH THIS DESIGN. EXISTING INSTALLATION AND EXISTING EQUIPMENT IS NOT PART OF ENGINEER OF RECORD'S SCOPE OF WORK.

100-217-000-0077



DURAK EVRIM ERCAN  
 PROFESSIONAL ENGINEER  
 STATE OF FLORIDA  
 LICENSE NO. 132240

Digitally signed by Durak Evrim Ercan, DN: cn=Durak Evrim Ercan, o=Amper Engineering, ou=Amper Engineering, email=Durak.Ercan@AmperEngineering.com, c=US  
 Reason: I have approved the document.  
 Date: 2021.05.13 20:59:45 -0400

ISSUE:		
REV	DESCRIPTION	DATE
1	SCHEMATIC DESIGN	3/25/21

AE JOB # 1418  
 JOB # 21-002  
 DRAWN BY PD  
 CHECKED BY YR

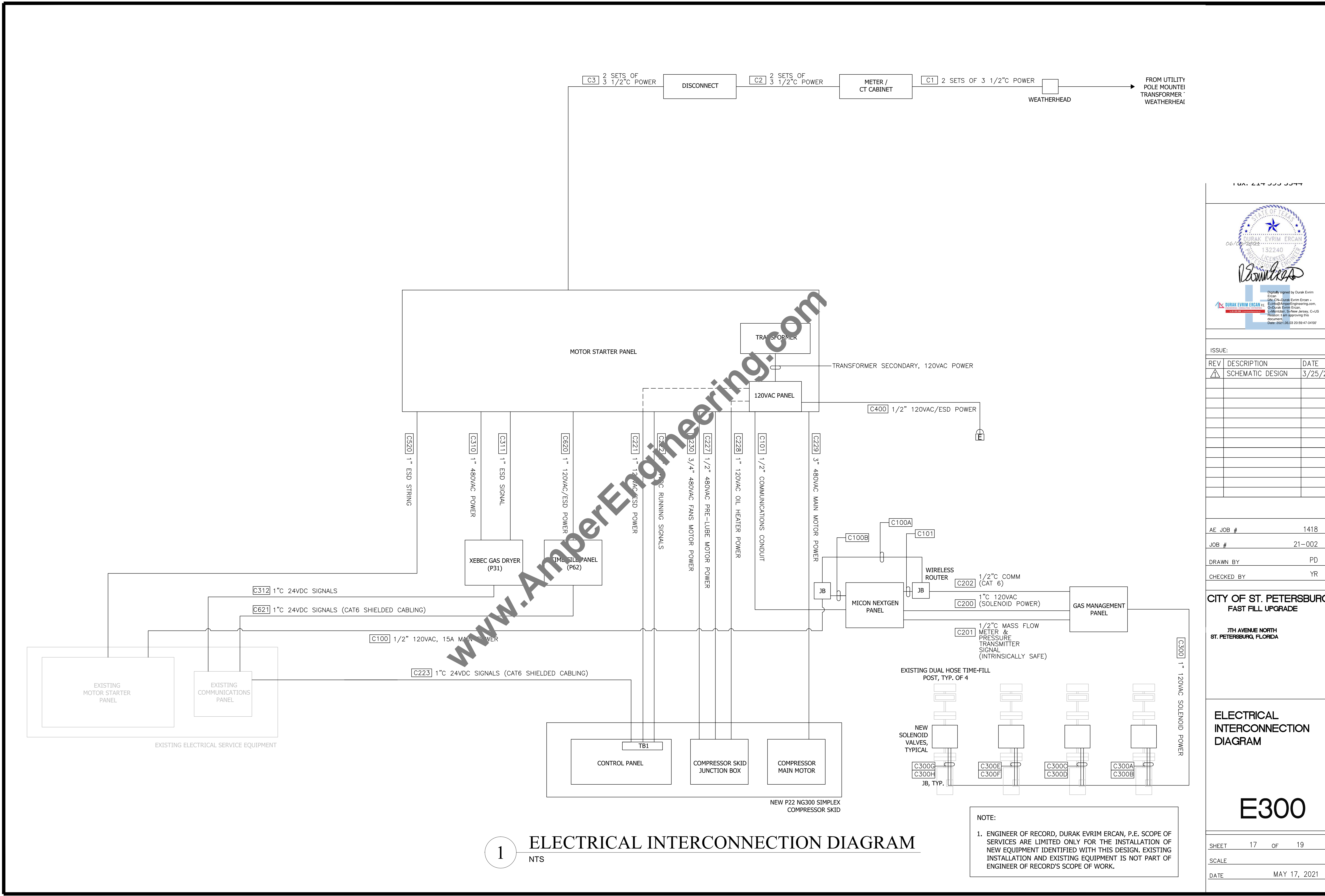
**CITY OF ST. PETERSBURG  
 FAST FILL UPGRADE**

**3TH AVENUE NORTH  
 ST. PETERSBURG, FLORIDA**

**ELECTRICAL  
 CONDUIT AND  
 WIRE SCHEDULE**

# E201

SHEET 16 OF 19  
 SCALE  
 DATE MAY 17, 2021



ISSUE:

REV	DESCRIPTION	DATE
Δ	SCHEMATIC DESIGN	3/25/21

AE JOB #	1418
JOB #	21-002
DRAWN BY	PD
CHECKED BY	YR

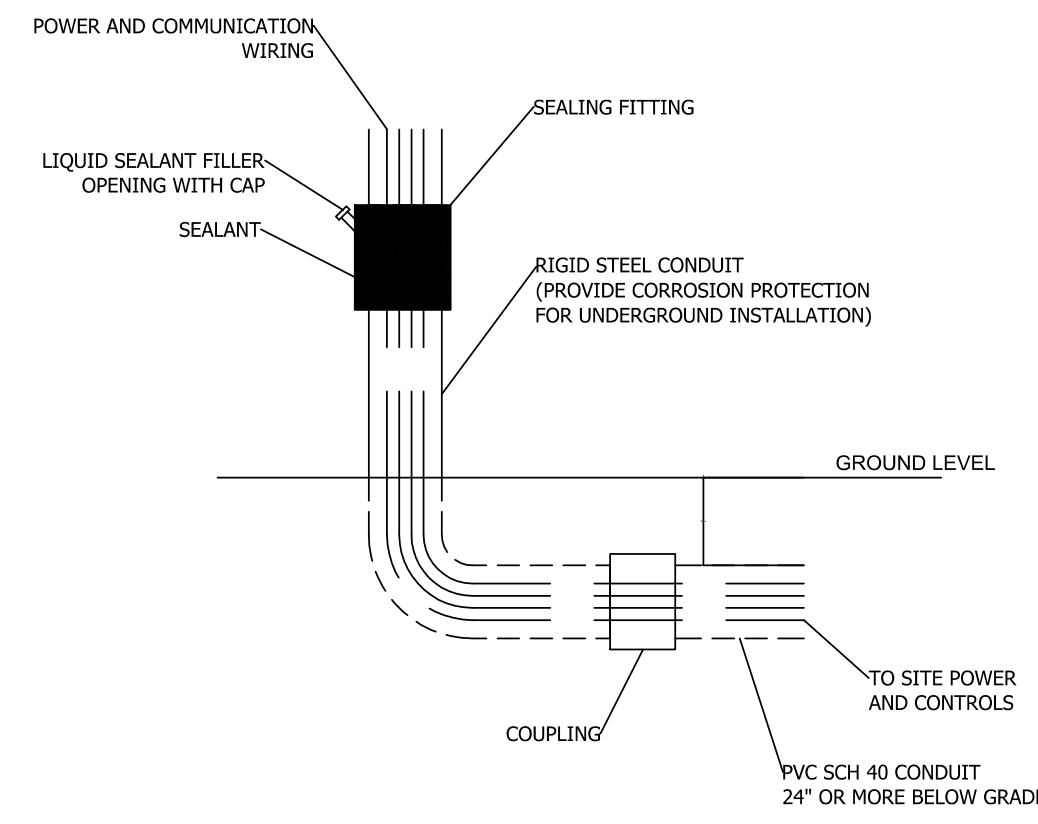
**CITY OF ST. PETERSBURG**  
**FAST FILL UPGRADE**  
 3TH AVENUE NORTH  
 ST. PETERSBURG, FLORIDA

**ELECTRICAL INTERCONNECTION DIAGRAM**

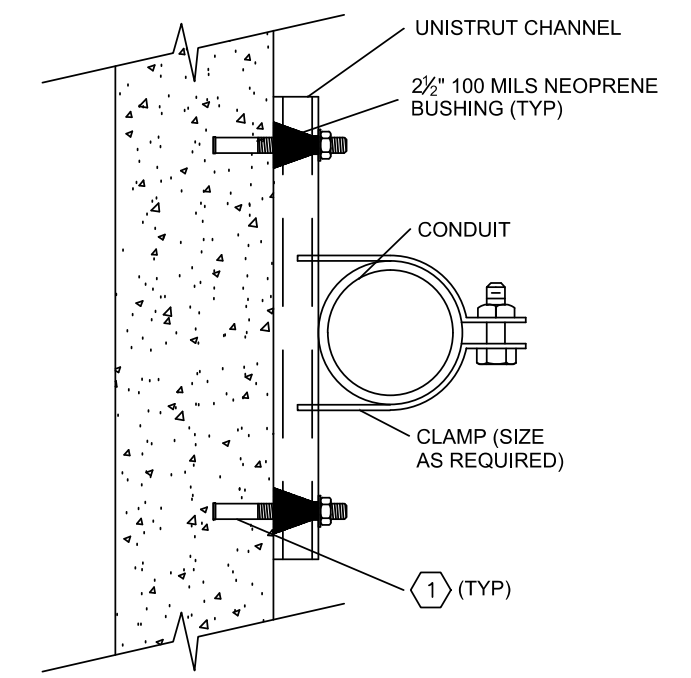
**E300**

1 **ELECTRICAL INTERCONNECTION DIAGRAM**  
 NTS

**NOTE:**  
 1. ENGINEER OF RECORD, DURAK EVRIM ERCAN, P.E. SCOPE OF SERVICES ARE LIMITED ONLY FOR THE INSTALLATION OF NEW EQUIPMENT IDENTIFIED WITH THIS DESIGN. EXISTING INSTALLATION AND EXISTING EQUIPMENT IS NOT PART OF ENGINEER OF RECORD'S SCOPE OF WORK.

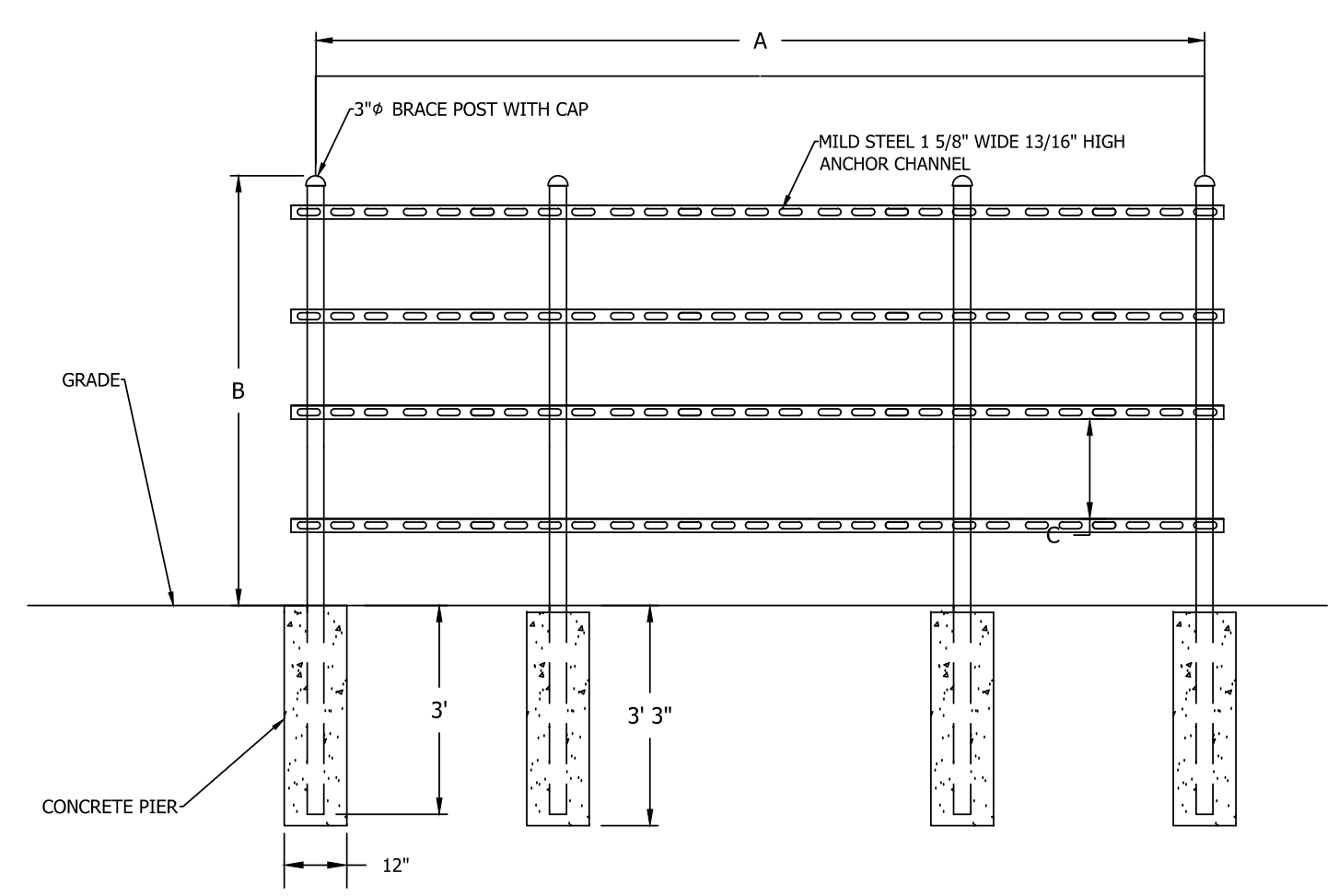


201 UNDERGROUND CONDUIT SEAL-OFF  
N.T.S.



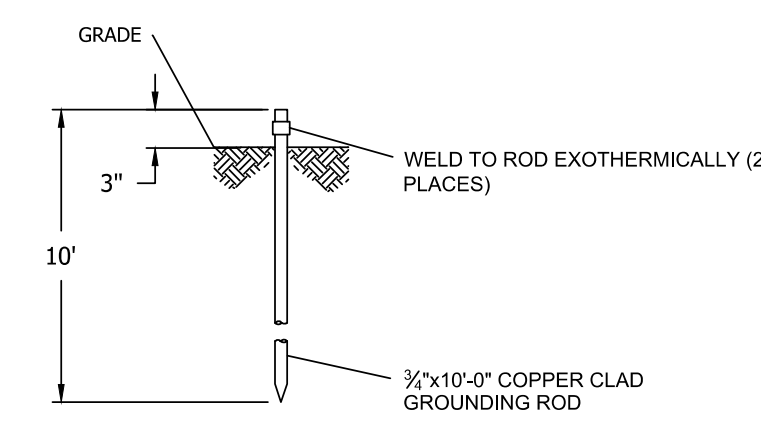
NOTES BY SYMBOL:  
T. 1/2\"/>

205 GROUND OR WALL EXPOSED CONDUIT INSTALLATION  
N.T.S.

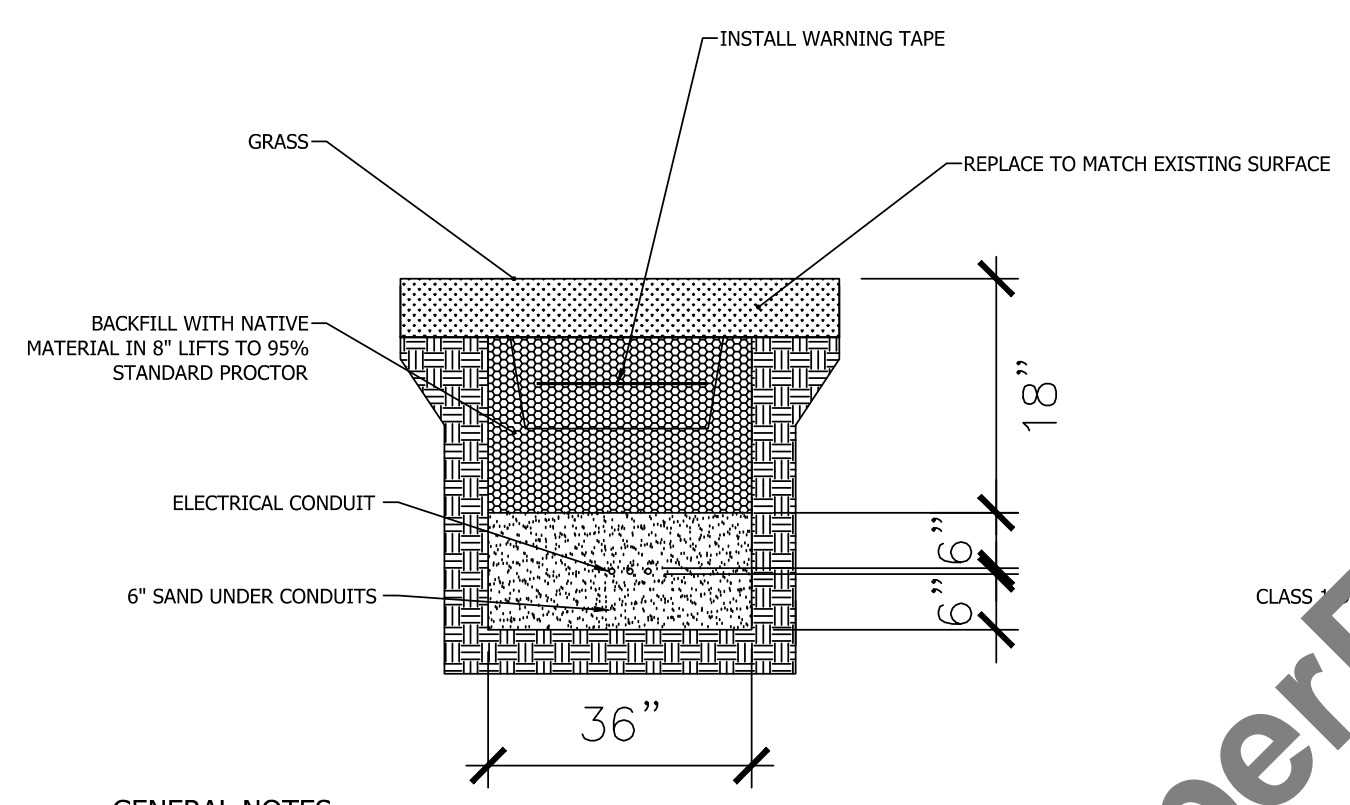


NOTES:  
1. SECURE ANCHOR CHANNELS TO BRACE POSTS USING 3\"/>

103 ELECTRICAL EQUIPMENT ANCHORING DETAIL ASSEMBLY  
N.T.S.

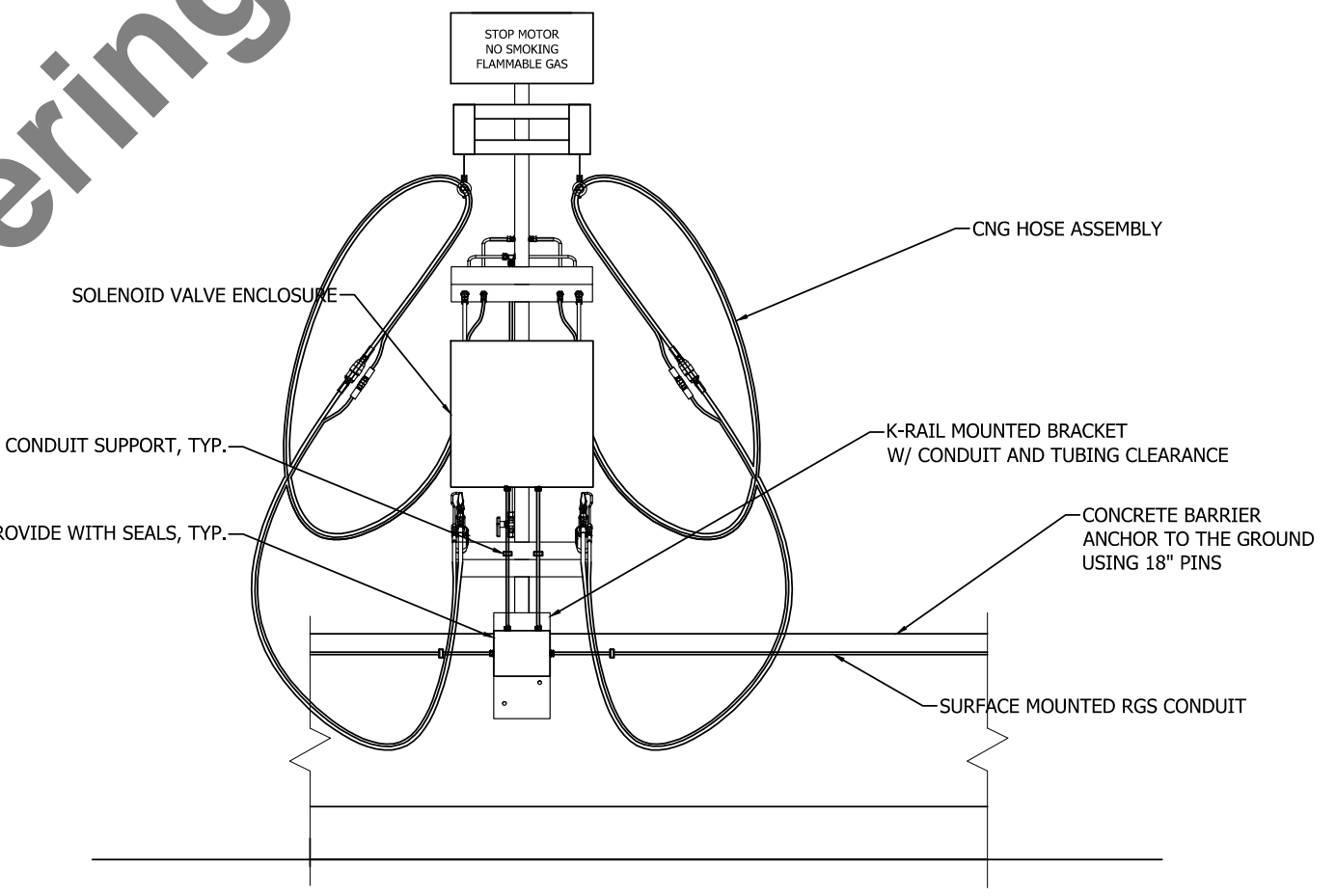


202 GROUNDING/GROUND ROD DETAIL  
N.T.S.



GENERAL NOTES:  
1. CONCRETE SHALL HAVE 4000 PSI COMPRESSIVE STRENGTH.  
2. ALL REINFORCEMENTS SHALL BE ACCORDING TO ASTM A615 GRADE 60.

204 TRENCH DETAIL  
N.T.S.



203 DUAL HOSE TIME FILL POST FRONT VIEW  
N.T.S.



ISSUE:

REV	DESCRIPTION	DATE
1	SCHEMATIC DESIGN	3/25/21

AE JOB # 1418  
 JOB # 21-002  
 DRAWN BY PD  
 CHECKED BY YR  
**CITY OF ST. PETERSBURG**  
**FAST FILL UPGRADE**  
 7TH AVENUE NORTH  
 ST. PETERSBURG, FLORIDA

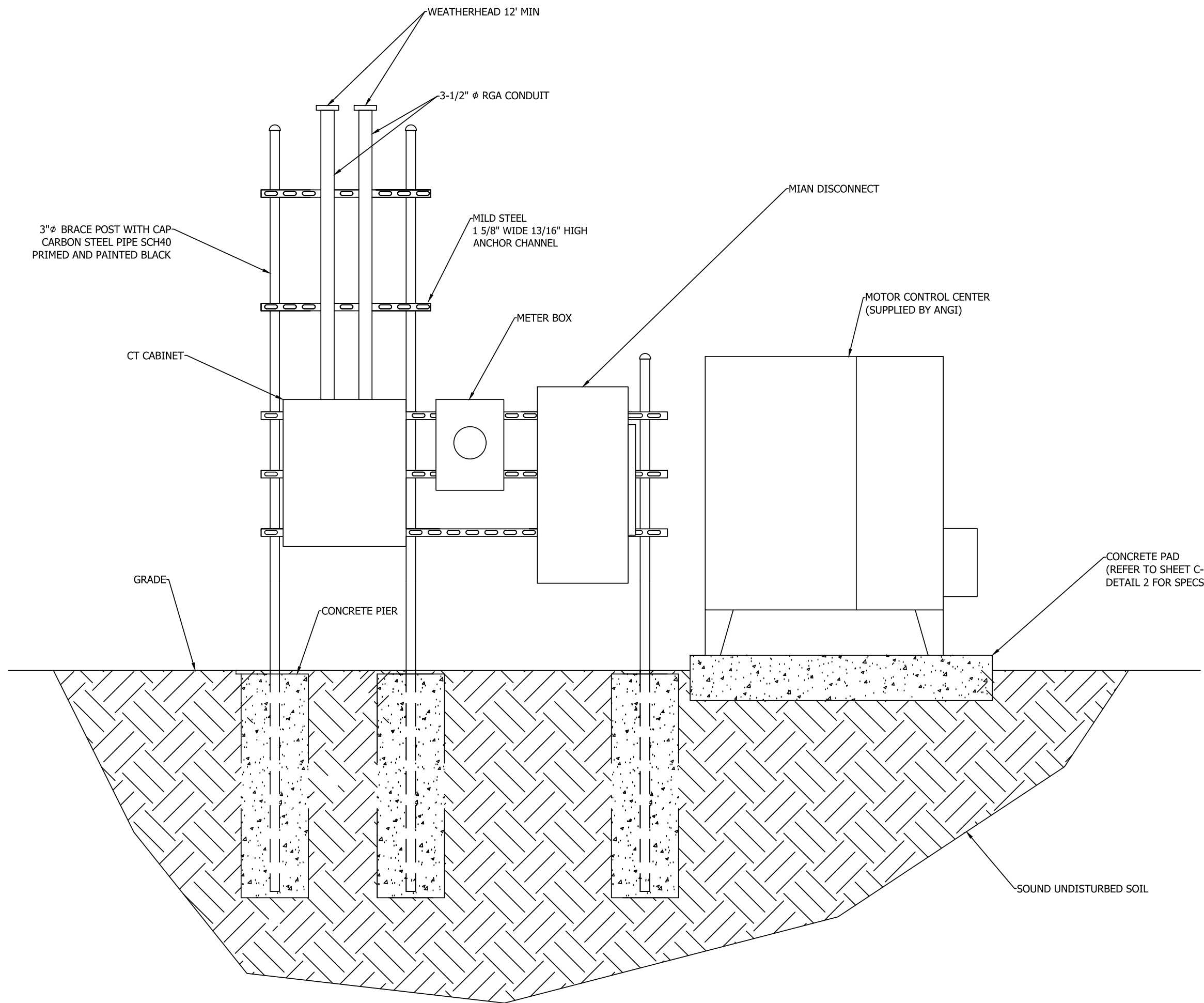
ELECTRICAL  
 DETAILS - 1

**E400**

NOTE:  
 1. ENGINEER OF RECORD, DURAK EVRIM ERCAN, P.E. SCOPE OF SERVICES ARE LIMITED ONLY FOR THE INSTALLATION OF NEW EQUIPMENT IDENTIFIED WITH THIS DESIGN. EXISTING INSTALLATION AND EXISTING EQUIPMENT IS NOT PART OF ENGINEER OF RECORD'S SCOPE OF WORK.

SHEET 18 OF 19  
 SCALE  
 DATE MAY 17, 2021





- NOTES:
1. SECURE ANCHOR CHANNELS TO BRACE POSTS USING 3" GALVANIZED U-BOLTS.
  2. DIMENSION A, B, AND C WILL VARY DEPENDING ON EQUIPMENT TO BE INSTALLED.

206 ELECTRICAL EQUIPMENT ANCHORING FRAME ASSEMBLY  
N.T.S.

www.AmperEngineering.com

NOTE:

1. ENGINEER OF RECORD, DURAK EVRIM ERCAN, P.E. SCOPE OF SERVICES ARE LIMITED ONLY FOR THE INSTALLATION OF NEW EQUIPMENT IDENTIFIED WITH THIS DESIGN. EXISTING INSTALLATION AND EXISTING EQUIPMENT IS NOT PART OF ENGINEER OF RECORD'S SCOPE OF WORK.

100-217-333-3377



ISSUE:		
REV	DESCRIPTION	DATE
1	SCHEMATIC DESIGN	3/25/21

AE JOB #	1418
JOB #	21-002
DRAWN BY	PD
CHECKED BY	YR

CITY OF ST. PETERSBURG  
FAST FILL UPGRADE  
  
3TH AVENUE NORTH  
ST. PETERSBURG, FLORIDA

ELECTRICAL  
DETAILS - 2

E401

SHEET	19	OF	19
SCALE			
DATE	MAY 17, 2021		